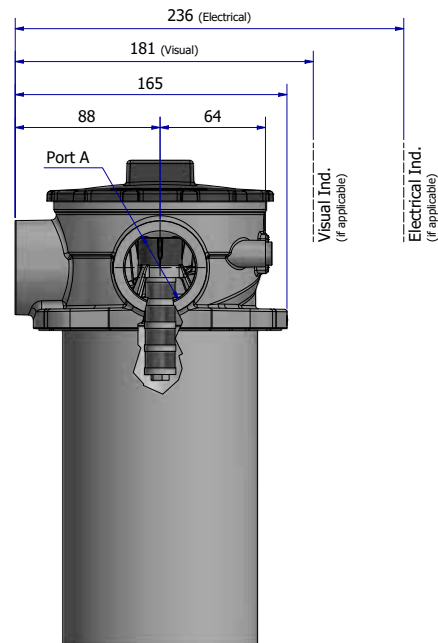
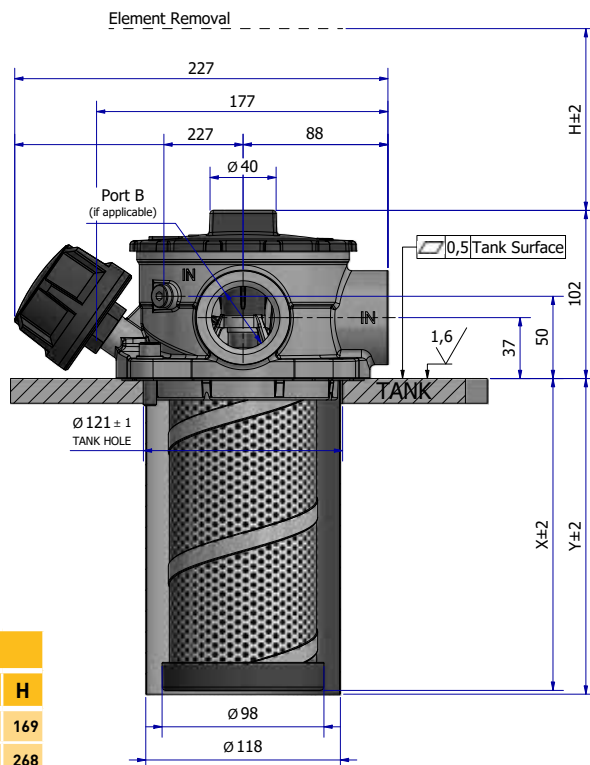
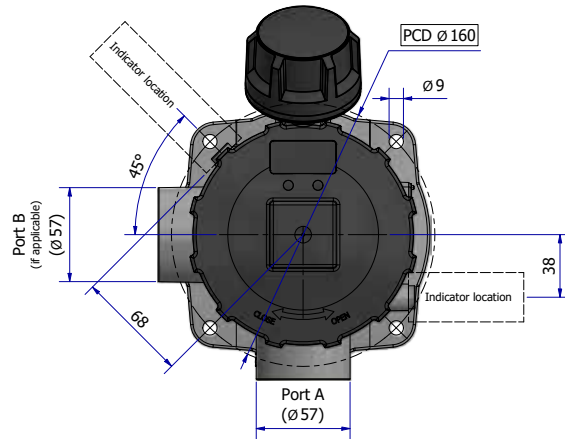
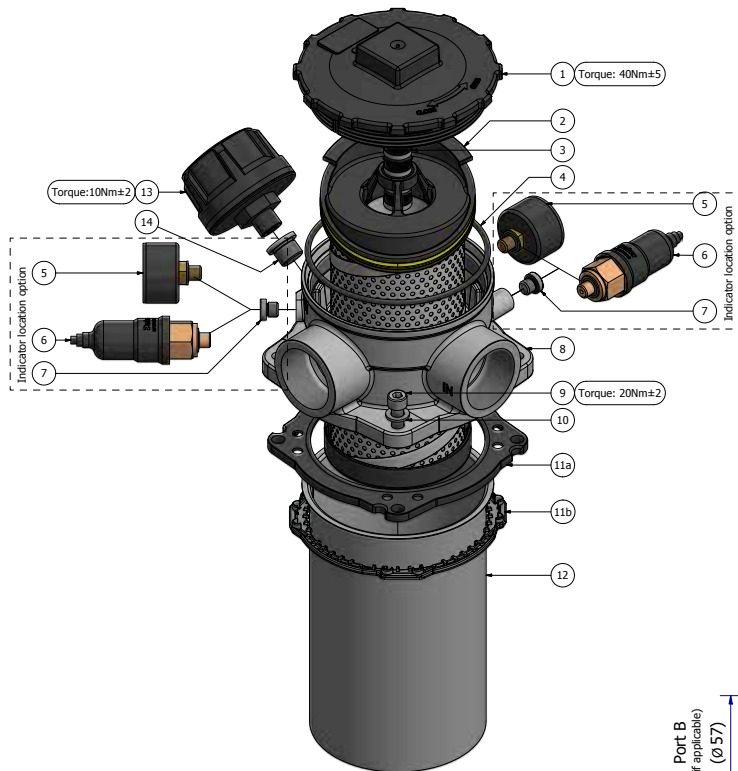


Low Pressure iprotect® Series

GLF - Tanktop Return Line Hydraulic Oil Filter

GLF - Size 2 Technical information

PARTS LIST		
ITEM	QTY	DESCRIPTION
1	1	COVER
2	1	ELEMENT
3	1	MAGNET COLUMN (Optional)
4	1	O-RING
5	1	PRESSURE GAUGE (Optional)
6	1	PRESSURE SWITCH (Optional)
7	2	COLLARPLUG G1/8 INCL SEAL (Standard)
8	1	FILTER HEAD
9	4	HEX SOCKET M8 (Not supplied)
10	4	WASHER M8 (Not supplied)
11a	1	GASKET
11b	1	SEAL SUPPORT RING
12	1	FUNNEL
13	1	AIR BREATHER (Optional)
14	1	PLUG G3/8 INCL SEAL (Standard)



DIMENSION			
TYPE	X	Y	H
GLF21	189	192	169
GLF22	288	291	268